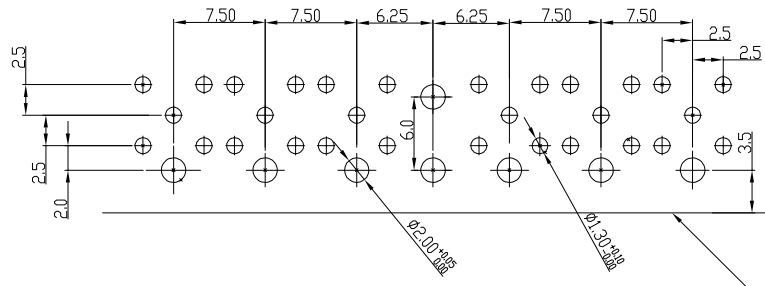
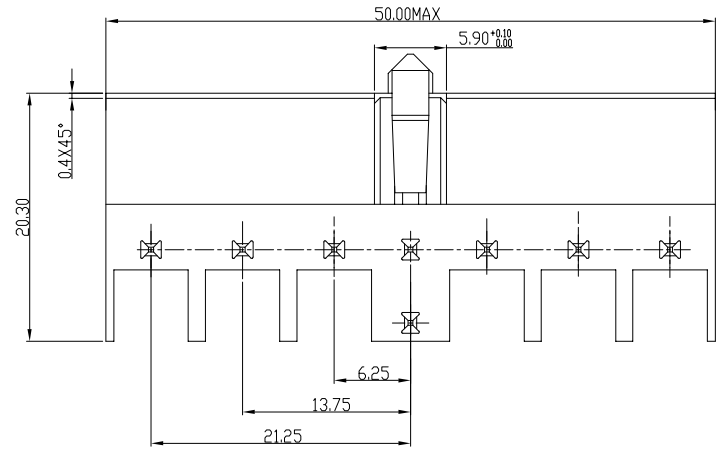
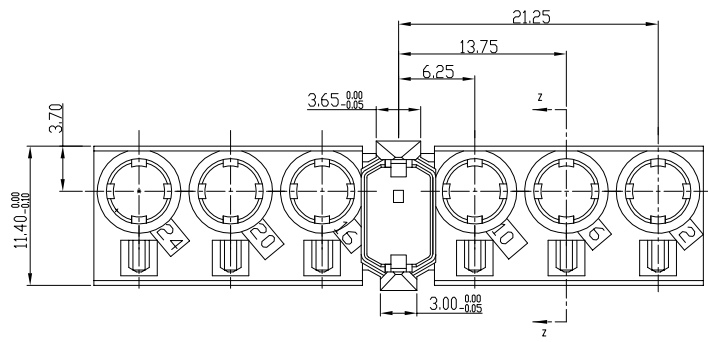


Tous droits strictement reserves. Reproduction ou communication a des tiers interdite sous quelque forme que ce soit sans autorisation écrite du propriétaire. Propriete de c FCI. Droits de reproduction FCI.



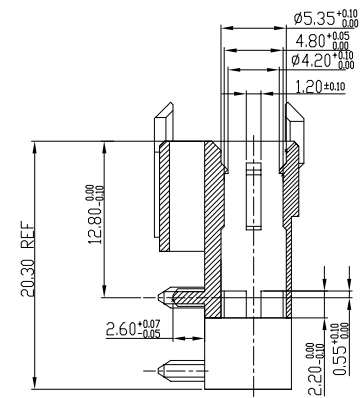
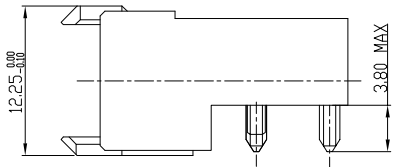
All rights strictly reserved. Reproduction or issue to third parties in any form whatever is not permitted without written authority from the proprietor. Property of FCI. Copyright FCI.



LAY-OUT
P.C.B.- HOLE

NOTES

1. THIS PRODUCT IS CSA APPROVED.
2. THIS PRODUCT IS UL RECOGNIZED.
3. MATERIAL: PLOYESTER 30% GLASS FILLED REINFORCED.
4. THIS PRODUCT (LF) MEETS EUROPEAN UNION DIRECTIVES AND OTHER COUNTRY REGULATIONS AS DESCRIBED IN GS-22-008.
5. THE HOUSING WILL WITHSTAND EXPOSURE TO 260°C PEAK TEMPERATURE FOR 30 SECONDS IN A VAPE SOLDER APPLICATION WITH A 1.6MM MINIMUM THICK CIRCUIT BOARD



| rev | ecn no | dr | date |
|-----|------------------------|-------|----------|
| A | CONVERSION REVISION 05 | KN | 14-09-01 |
| B | DG05-0333 | Kasor | 16-09-05 |
| C | DG07-0011 | Kasor | 11-01-07 |

| | | | |
|-------------------------------------|--------------------------|--|------------------------|
| Material PLOYESTER 30% GLASS FILLED | | Spec ref | |
| Mat code | | tolerance 1DEC±0.2 1DEC 2DEC ± 0.10 2DEC ANGLES±1°DEKEN | projection MM |
| Heattreat | | | |
| Plating/Finish | | size A4 | Scale 1.500 |
| Dr | W.Panis 07-04-92 | | |
| Eng | | Product family MILLIPICS | |
| Chr | | Model Name ECN | |
| Appr | | Model Revision REL Level | |
| FCJ | | title MILLIPACS 2/FEMALE BODY/TYPE L | dwg no BSC201418004 |
| Pro/E file | catalog no HM2R04P1LF | CUSTOMER | sheet 1 of 1 |